

❖ **iTi-IP-4200B-A**

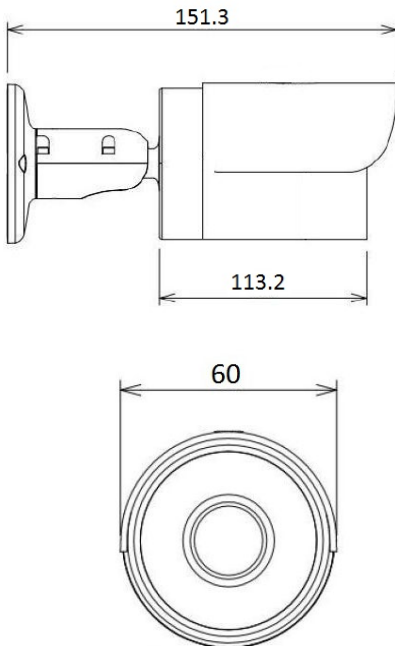
**2 Megapixel Full HD Network Small IR Bullet Camera with Audio**



**Key Features**

- ❖ 1/2.7" CMOS Digital Image Sensor (Sony IMX122)
- ❖ 2.0 Megapixel Full HD
- ❖ Support Audio
- ❖ Low illumination
- ❖ Max. IR LEDs length 30m
- ❖ IP66, PoN

**Dimensions**



<b>iTi-IP-4200B-A</b>	
<b>Camera</b>	
Image Sensor	1/2.7" CMOS Digital Image Sensor (Sony IMX122)
Effective Pixels	1920 (H) × 1080 (V)
Minimum illumination	0.01 Lux
S/N	≥ 45db
IR	>20M
IR-Cut	Color to BW: 2 Lux BW to Color : 6 Lux
<b>Optical Lens</b>	
Interface	M12
Lens	Fixed Iris Lens F1.8
Local length	3.6mm
<b>Video / Audio</b>	
Video encode	H.264 Baseline Profile / H.264 Main Profile
Resolution	Main stream:1080p @ 30fps; Sub stream:540P(960*540)@ 30fps/VGA/1080P @ 1fps for snapshot
Bitrate	512Kbps~8Mbps
CBR/VBR	Support
MIC	Support
<b>Network</b>	
Ethernet interface	RJ-45 (10M/100M)
Protocol	IPv4/IPv6, HTTP, TCP/IP, UDP, UPnP, SNMP, RTSP, RTCP, RTP, SMTP, NTP, DHCP, DNS, PPPOE, DDNS, FTP, QoS
ONVIF	Supports
Network Preview	Web Server embedded, Support IE
<b>Alarm</b>	
Alarm	No
<b>General</b>	
Power Supply	DC12V, PoN (Power by NVR mainboard)
Power Consumption	<5W
Operation Temperature	-10°C~+55°C
Operation Humidity	0% - 90%
Ingress Protection	IP66
Dimensions	Unfolded: Φ60 × 151.3mm; Fold: Φ60 × 113.2mm
Weight	0.4kg

\*\* Design and specifications and subject to change without notice

\*\* Dimensional Tolerance : ± 5mm