

❖ IP-2300D-Z

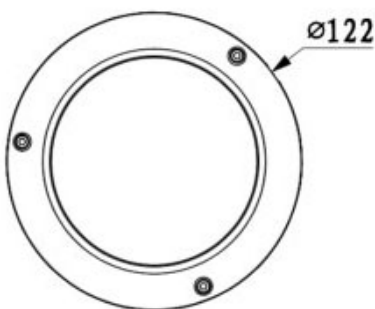
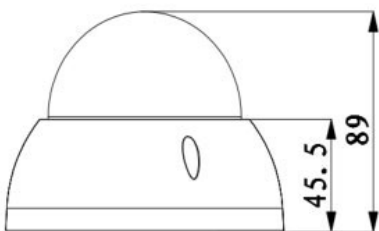
Three Megapixel Full HD Motorized Varifocal Lens Network IR Dome Camera



Key Features

- ❖ 1/3" 3 Megapixel progressive CMOS
- ❖ H.264 & MJPEG dual-stream encoding
- ❖ Max 20fps@3M (2048x1536) & 25/30fps@1080P (1920x1080)
- ❖ DWDR Day/Night (ICR), 3DNR, AWB, AGC, BLC
- ❖ Multiple network monitoring: Web viewer, CMS(DSS/PSS) & DMSS
- ❖ 2.7 ~ 12mm Varifocal Lens
- ❖ Max. IR LEDs length 30m
- ❖ IP66, IK10, PoE

Dimensions



** Dimensional Tolerance : ± 5mm

IP-2300D-Z	
Camera	
Image Sensor	1/3" Three Megapixel progressive scan CMOS
Effective Pixels	2048 (H) × 1536 (V)
Scanning System	Progressive
Electronic Shutter Speed	Auto/Manual, 1/3(4)~1/10000s
Min. Illumination	0.01Lux/F1.4(Color); 0Lux/F1.4 (IR on)
S/N Ratio	More than 50dB
Camera Features	
Max. IR LEDs Length	30m
Day/Night	Auto(ICR) / Color / B/W
Backlight Compensation	BLC / HLC / DWDR
White Balance	Auto / Manual
Gain Control	Auto / Manual
Noise Reduction	3D
Privacy Masking	Up to 4 areas
Lens	
Focal Length	2.7mm ~ 12mm
Max Aperture	F1.4
Focus Control	Auto
Angle of View	H: 92° ~ 28°
Lens Type	Motorized / Fixed Iris
Mount Type	Board-in Type
Video	
Compression	H.264 / H.264H / MJPEG
Resolution	3M (2048x1536) / 1080P(1920x1080) / 1.3M(1280x960) / 720P(1280x720) / D1(704x576/704x480) / CIF(352x288/352x240)
Frame Rate	Main Stream: 3M (1~20fps) / 1080P(1 ~ 25/30fps) Sub Stream: D1/CIF(1 ~ 25/30fps)
Bit Rate	H.264: 40K~8192Kbps; MJPEG: 40K~16384Kbps
Network	
Ethernet	RJ-45 (10/100Base-T)
Protocol	IPv4/IPv6, HTTP, HTTPS, SSL, TCP/IP, UDP, UPnP, ICMP, IGMP, SNMP, RTSP, RTP, SMTP, NTP, DHCP, DNS, PPPOE, DDNS, FTP, IP Filter, QoS, Bonjour
Compatibility	ONVIF, PSIA, CGI
Max. User Access	20 users
Smart Phone	iPhone, iPad, Android, Windows Phone
General	
Power Supply	DC12V, PoE (802.3af)
Power Consumption	<8.5W
Working Environment	-30°C~+60°C, Less than 95% RH
Ingress Protection	IP66
Vandal Resistance	IK10
Dimensions	Φ 122mm × 89mm
Weight	0.5kg

** Design and specifications and subject to change without notice