



IP-1320D

Three Megapixel IR Mini-Dome Network Camera



Key Features

- 1/3" 3 Megapixel progressive CMOS
- H.264+ & H.264 dual-stream encoding
- 20fps@3M(2048x1536) & 25/30fps@1080P(1920x1080)
- DWDR, Day/Night(ICR), 3DNR, AWB, AGC, BLC
- Multiple network monitoring: Web viewer, CMS(DSS/PSS) & DMSS
- 2.8 mm fixed lens (3.6mm (optional)
- Max IR LEDs Length 30m
- IP67, IK10, PoE



Technical Specification

Camera

Image Sensor	1/3" 3 Megapixel Progressive CMOS
Effective Pixels	2304(H) x 1536(V) 3Megapixels
RAM / ROM	256MB / 16MB
Scanning System	Progressive
Electronic Shutter Speed	Auto/Manual, 1/3(4)~1/100,000s
Minimum illumination	Color: 0.1Lux/F2.0 B/W (IR on) : 0Lux/F2.0
S/N Ratio	More than 50dB
IR Distance	Distance up to 30m (98ft)
IR On/Off Control	Auto/Manual
IR LEDs	24

Lens

Lens Type	Fixed
Mount Type	Board-in
Focal Length	2.8mm (3.6mm optional)
Max Aperture	F2.0 / F2.0
Angle of View	H: 98°~V51° (H: 77°~V41°)
Focus Control	Fixed
Close Focus Distance	N/A

DORI Distance

Lens	Detect	Observe	Recognize	Identify
2.8mm	58m (190ft)	23m (75ft)	12m (39ft)	6m (20ft)
3.6mm	73m (240ft)	29m (95ft)	15m (49ft)	7m (23ft)

Video

Compression	H.264+/H.264
Streaming Capability	2 Streams
Resolution	3M(2048x1536)(2304x1296)/ 1080P(1920x1080) / 720P(1280x720) / D1(704x576/704x480)/ CIF(352x288/352x240)
Frame Rate	3M (1 ~20fps), 2M(1~25/30fps) D1/CIF (1~25/30fps)
Bit Rate Control	CBR/VBR
Bit Rate	H.264: 24K ~ 8192Kbps
Day/Night	Auto(ICR) / Color / B/W
BLC Mode	BLC / HLC / DWDR
White Balance	Auto/Natural/Street Lamp/Outdoor/Manual
Gain Control	Auto / Manual
Noise Reduction	3D DNR
Motion Detection	Off / On (4 Zone, Rectangle)
Region of Interest	Off / On (4 Zone)
Electronic Image	Support
Smart IR	Support
Digital Zoom	16x
Flip	0°/90°/180°/270°
Mirror	Off / On
Privacy Masking	Off / On (4 areas, Rectangle)

Audio

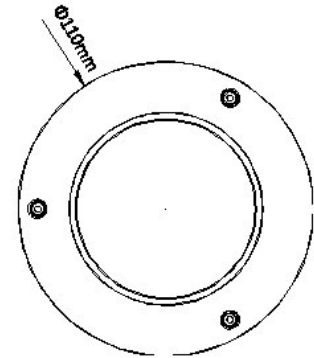
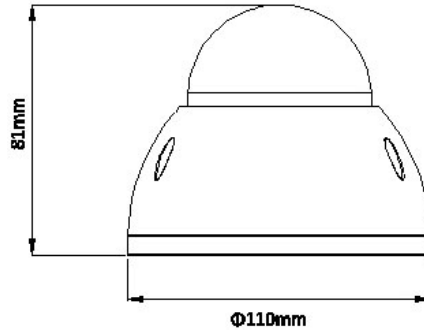
Compression	N/A
-------------	-----



IP-1320D

Three Megapixel IR Mini-Dome Network Camera

Dimensions



Technical Specification

Electrical

Power Supply	DC 12V PoE(802.3af) (Class 0)
Power Consumption	<5.0W

Environmental

Operating Conditions	-30°C~60°C (-22°F ~ +140°F) / Less than 95% RH
Ingress Protection	IP67
Vandal Resistance	IK10

Construction

Casing	Metal
Dimensions	φ109.9 (mm) x 81 (mm)
Net Weight	0.34kg (0.75lb)
Gross Weight	0.47kg (1.04lb)

Certifications

Certifications	CE	EN60950:2000
	FCC	FCC Part 15 subpart B
	UL	UL60950-1

Network

Ethernet	RJ-45 (10/100Base-T)
Protocol	HTTP, HTTPS, TCP, ARP, RTSP, RTP, UDP, SMTP, FTP, DHCP, DNS, DDNS, PPOE, IPv4/v6, QoS, UPnP, NTP, Bonjour, 802.1x, Multicast, ICMP, IGMP
Interoperability	ONVIF, PSIA, CGI
Streaming Method	Unicast / Multicast
Max. User Access	10 Users / 20 users
Edge Storage	NAS (Network Attached Storage), Local PC for instant recording
Web Viewer	IE
Management Software	Smart PSS, DSS
Smart Phone	IOS, Android

Interface

Video Interface	N/A
Audio Interface	N/A
RS485	N/A
Alarm	N/A